

# Stellar Panelboard Dimming Systems

Dimming Systems

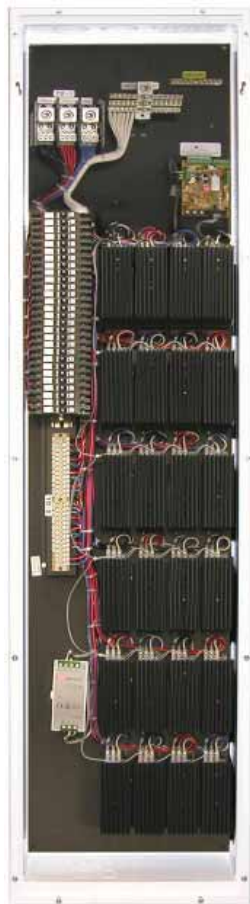
Category

Overview

Stellar Panelboard Dimming Systems create a new dimension in lighting control. While lighting systems consume energy, Stellar dimming panels conserve and redirect energy into the atmosphere of your facility. The panel's universal dimmers control incandescent, fluorescent, low-voltage, and cold cathode lighting, as well as ceiling fans. A suite of lighting controllers lets users manage light levels and create fully-automated lighting environments.

Photos

Typical Applications



*Stellar 24 - interior*



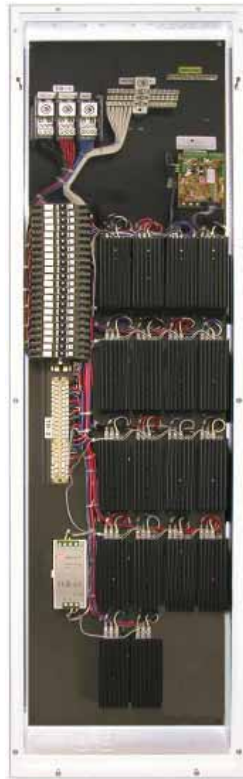
*Stellar 24 - enclosure*

- Restaurants, lounges, clubs
- Houses of worship
- Hotels, ballrooms with moving partitions
- Offices, schools, auditoriums
- Resorts, country clubs
- Convention centers, multifunctional facilities, exhibit halls

Features

## Dimmer Panel

- Enclosure design allows for surface-mount or recessed installation between 2" x 4" studs, conserves space, and simplifies rough-in
- Top and bottom openings for feeding loads
- Tested as a complete system, at full load, prior to shipment
- Variable-speed cooling fan slows down or stops at low temperatures to extend life-time
- Includes three additional circuit breakers for emergency or security lighting
- Ability to override controls and recall presets or bypass dimmers directly from dimmer panel
- Compatible with DMX512 control consoles for theater/stage applications
- UL 508 & 508A compliant



*Stellar 18 - interior*



*Stellar 18 - enclosure*



*Stellar 12 - interior*



*Stellar 12 - enclosure*



*Universal dimmer module*

**Universal Dimmer Modules**

- Controls incandescent lamps, dimmable electronic fluorescent ballasts, neon and cold cathode lighting, ceiling fans, and low voltage lighting
- Store and recall ten presets, with fade rates up to 999 seconds
- Rated 20 A, with 99.9% linear dimming curve and 100% duty cycle
- Electronically bypassable
- Configurable as a fluorescent dimmer module, to control line voltage electronic dimming ballasts, such as the Advance Mark X
- Configurable low-end cutoffs up to 25% to prevent lamp flicker at low light levels
- Configurable as an on/off switching relay
- Set master/slave settings to group dimmers into a single zone and control all dimmers simultaneously
- Diagnostic LED shows the status of each dimmer, online or offline
- Flash memory saves preset information in case of power outages
- Automatically reverts to on/off switching mode if the dimmer ever fails and can still be controlled from the lighting controller
- Plug-in connectors for easy removal and installation
- Reverts to the last active preset in case of a power failure
- No minimum load required

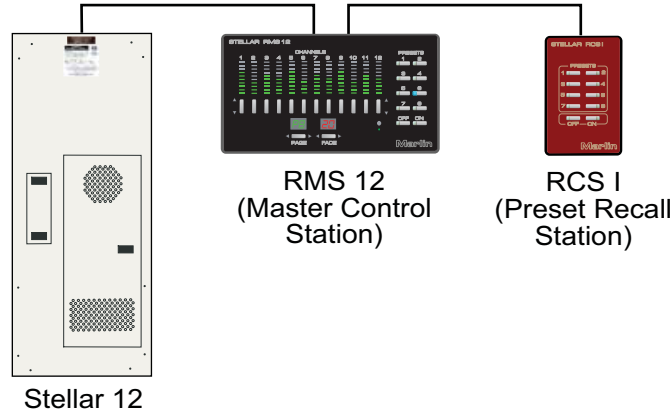
## Universal Dual-Channel Dimmer Modules

- Control two circuits with one module, rated 10 A per channel
- Ideal for lightly-loaded circuits
- Controls incandescent lamps, dimmable electronic fluorescent ballasts, neon and cold cathode lighting, ceiling fans, and low voltage lighting
- Store and recall ten presets per channel, with fade rates up to 999 seconds
- 99.9% linear dimming curve, 100% duty cycle
- Electronically bypassable
- Separate 10 A relay for each channel
- Configurable as a dual fluorescent dimmer module, to control line voltage electronic dimming ballasts, such as the Advance Mark X
- Configurable low-end cutoffs up to 25% to prevent lamp flicker at low light levels
- Configurable as an on/off switching relay
- Configure master and slave dual dimmers
- Diagnostic LED shows the status of each dimmer, online or offline
- Flash memory saves preset information in case of power outages
- Automatically reverts to on/off switching mode if the dimmer ever fails and can still be controlled from the lighting controller

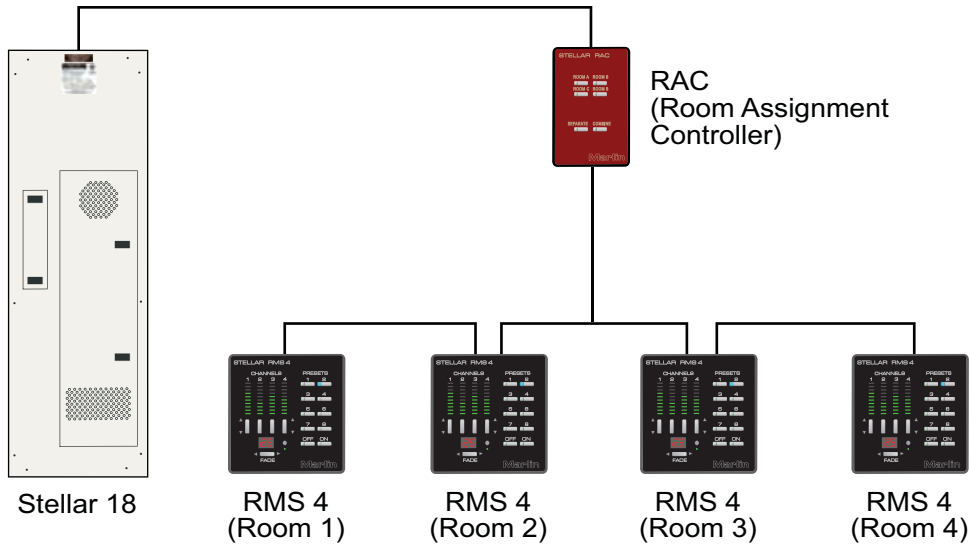


*Universal dual-channel dimmer module*

- Plug-in connectors for easy removal and installation
- Reverts to the last active presets in case of a power failure
- No minimum load required



12 dimmers with RMS 12 master control station and remote RCS I preset keypad

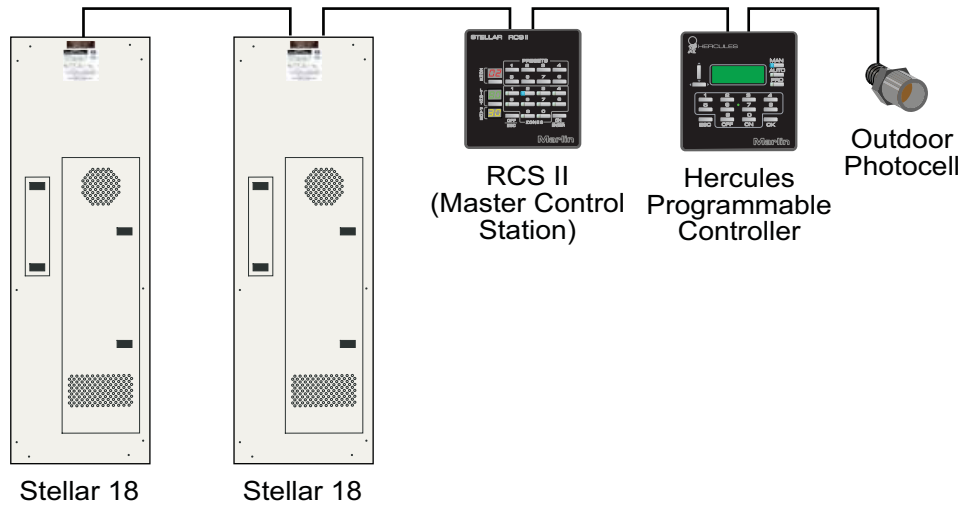


Partitioned-Room Setup with 4-Zone Room Master Controllers

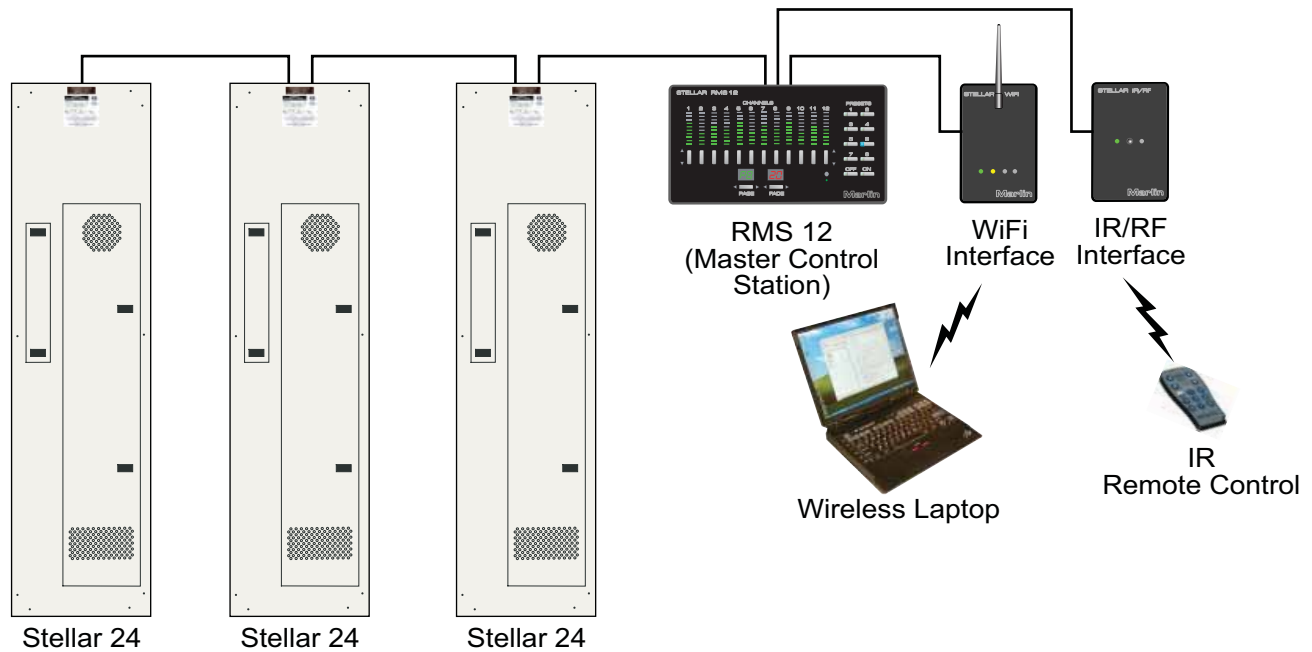
18 dimmers with RAC room assignment controller for partitioned ballrooms or multifunction rooms and RMS 4 four-zone control stations for each room

# Stellar Panelboard Dimming Systems

Dimming Systems



*36 dimmers with RCS II master control station, Hercules Programmable Controller for preset scheduling, and photocell for daylight-based preset scheduling*



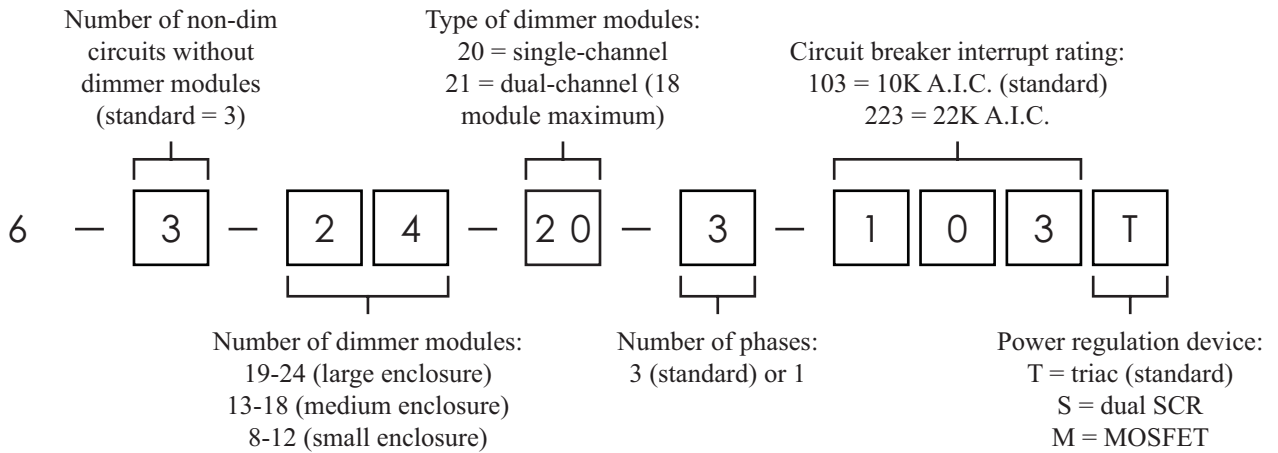
*72 dimmers with RMS 12 master control station, WiFi Interface for control from a wireless laptop, and IR Interface to recall presets using a wireless remote control*

## Dimmer Panel Specifications

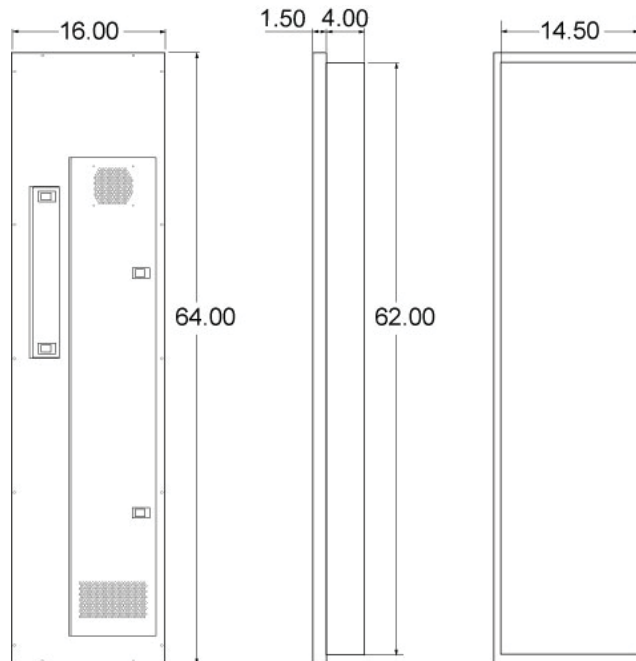
Dimmer module quantity	Stellar 12 (small cabinet): 8 to 12 Stellar 18 (medium cabinet): 13 to 18 Stellar 24 (large cabinet): 19 to 24
Enclosure dimensions	Stellar 12: 14.5" W x 38" H x 4" D Stellar 18: 14.5" W x 50" H x 4" D Stellar 24: 14.5" W x 62" H x 4" D
Cover dimensions	Stellar 12: 16" W x 40" H x 1.5" D Stellar 18: 16" W x 52" H x 1.5" D Stellar 24: 16" W x 64" H x 1.5" D
Weight (fully loaded)	Stellar 12: 70 lbs. Stellar 18: 93 lbs. Stellar 24: 110 lbs.
Input voltage	120 VAC (standard); 240 VAC, 277 VAC optional
Circuit breakers	One 20 A circuit breaker per dimmer, one 10 A control circuit breaker per panel, and three additional (constant-hot) 20 A circuit breakers per panel
Circuit breaker interrupt rating	10,000 A.I.C. (standard); 22,000 A.I.C. optional
Main lug only (MLO) rating	250 A maximum
Phase	Three phases (standard); single phase optional
Enclosure	Type 1, 14-gauge steel with white textured lead-free powdercoated finish; black anodized subplate
Mounting	Flush and surface-mount capable
Control interface	RS-485; DMX optional
Certification	ANSI/UL 508 & 508A, CSA STD C.22 No. 14
Cooling	Variable-speed fan, dimmer heat sinks
Wiring	Top: six 1" knockouts, two 2.5" knockouts Bottom: four 1" knockouts, one 2.5" knockout
Ambient Temperature	0°F to 122°F
Operating Temperature	70°F to 155°F

## Dimmer Module Specifications

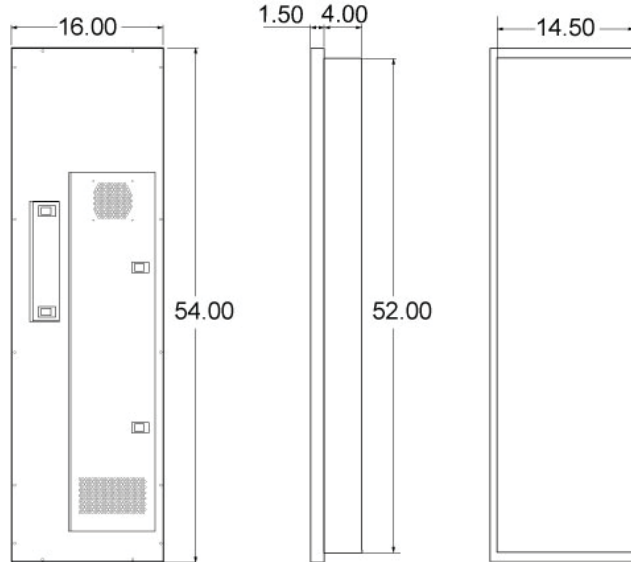
Maximum load capacity	Single-channel dimmer: 2400 W Dual-channel dimmer: 1200 W per channel
Minimum load	0 W
Dimmer rating	Single-channel dimmer: 20 A Dual-channel dimmer: 10 A per channel
Efficiency rating	99.9%
Compatible loads	Incandescent, fluorescent (Advance Mark X), low voltage, cold cathode, ceiling fans
Power regulation device	Triac (standard); dual SCR or power MOSFET optional
Low-end cutoff	10% (default) to 25%, configurable in 5% increments
Addressing	Eight-bit dip switch
Number of presets	10 per channel, one fade rate per preset
Cooling	Black anodized heat sink, panel cooling fan
Relay rating	Single-channel dimmer: 30 A Dual-channel dimmer: 10 A per channel
Duty cycle	100%



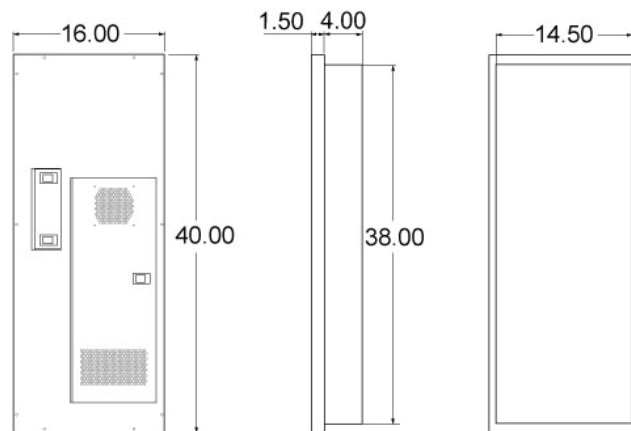
Dimensions



Stellar 24 - dimensions



*Stellar 18 - dimensions*



*Stellar 12 - dimensions*

\* Information within this document is subject to change without notice.

© Copyright 2007 Marlin Controls, Inc. All rights reserved.