

“Is it easy to operate?” That’s the question we asked ourselves when we designed the Remote Manual Slider. At the same time, we wanted to create something powerful enough to fit in any dimming application. So, we came up with an eight-preset master station, with individual zone adjustability, in three sizes: a four-slider control for four zones (RMS 4), an eight-slider control for up to 64 zones (RMS 8), and a 12-slider control for up to 96 zones (RMS 12). We put digital bar graph readouts of the light levels, so users could always see the current light level in each zone. Then, we added an infrared receiver so users could recall a preset with any TV remote. Easy? Maybe, but not ordinary.

Photos

Typical Applications



RMS 4 - four zones



RMS 8 - up to 64 zones

- Restaurants, lounges, clubs
- Houses of worship
- Offices, media rooms, conference rooms
- Auditoriums, meeting halls
- Ballrooms, multifunctional facilities, partitioned spaces
- Resorts, country clubs

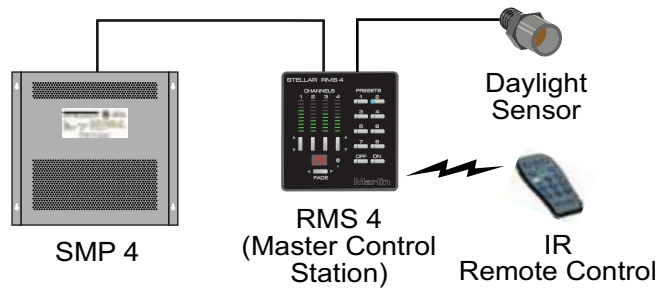
Features

- Control a total of 96 zones (RMS 12), 64 zones (RMS 8), or four zones (RMS 4)
- Digital sliders with graphical displays of each zone’s light level
- Eight user-programmable presets, plus reprogrammable “Off” and “On” presets
- Fade rates for each preset, from zero seconds (instant) to 90 seconds
- Optional photosensor input for daylight harvesting
- Use universal TV remotes to recall presets and adjust light levels with the optional built-in infrared receiver
- Manual switch allows user to enable or disable preset programming to prevent tampering

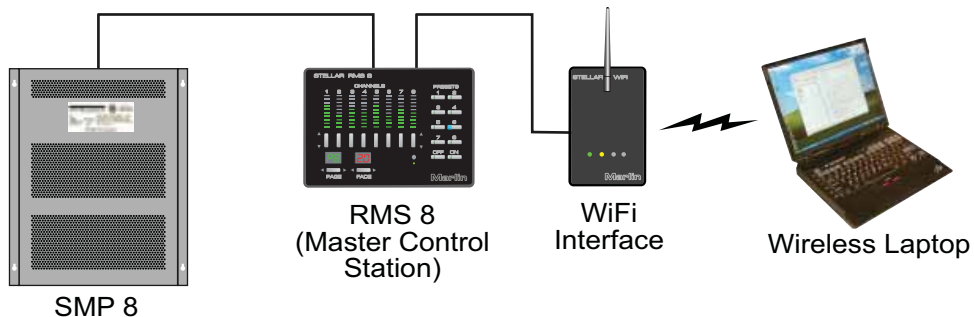


RMS 12 - up to 96 zones

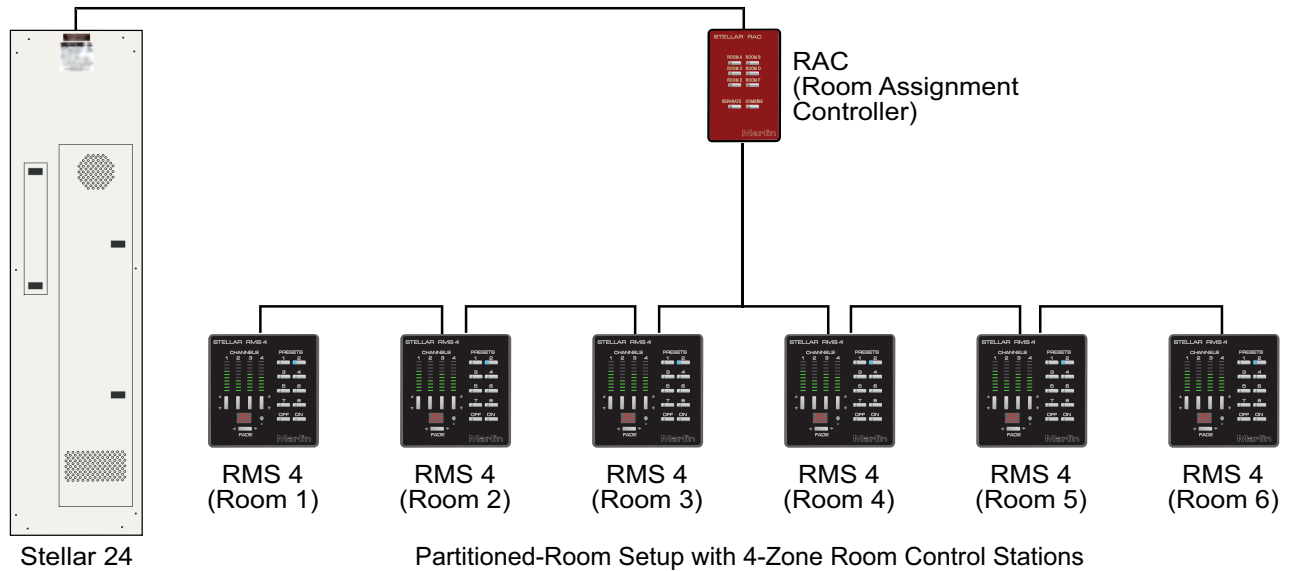
- Dual-location preset backup allows recovery of presets when the RMS or dimmers are replaced
- Includes four dry contact closure inputs for alarm systems, motion sensors, and door switches
- Optional additional dry contact closure inputs for interfacing A/V systems
- Laser-engraved faceplate with custom colors, text, and graphics



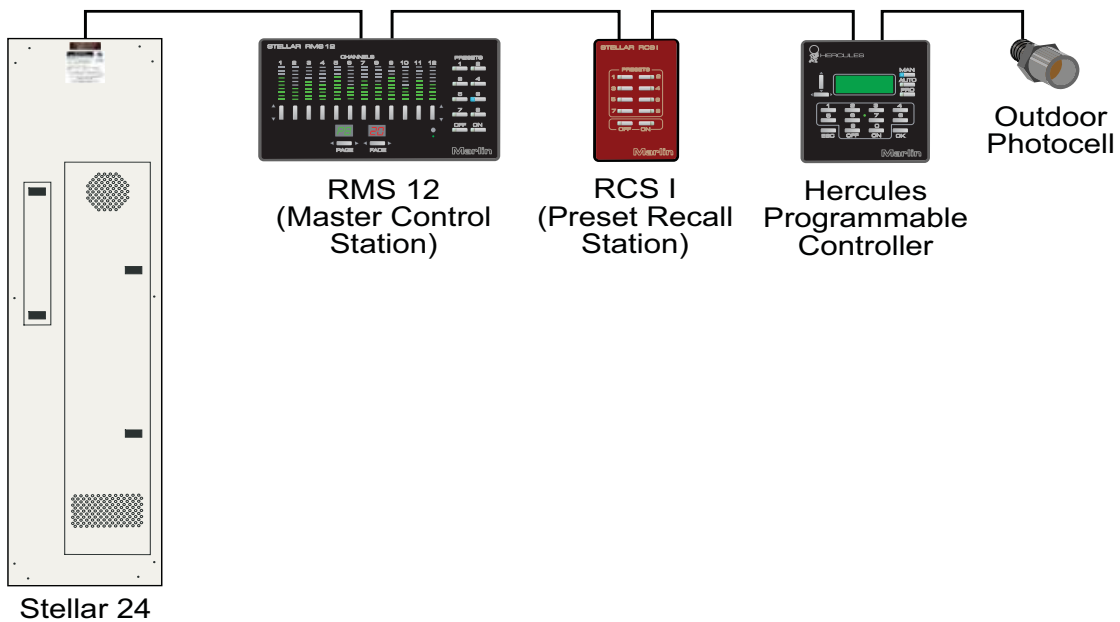
*Stellar Mini Panel with four dimmers, RMS 4 master controller with daylighting sensor, and built-in infrared (IR) receiver*



*Stellar Mini Panel with eight dimmers, RMS 8 master controller, and WiFi Interface for control through a wireless network*



*Stellar 24 dimmer panel with RAC room assignment controller and one RMS 4 four-zone control station for each room (up to eight rooms maximum)*



*Stellar 24 dimmer panel with RMS 12 master controller, RCS I preset recall station, Hercules programmable time clock, and outdoor photocell sensor for sunlight-based automation*

Front dimensions	RMS 4: 4.50" W x 4.50" H RMS 8: 6.375" W x 4.50" H RMS 12: 8.25" W x 4.50" H
Switch box dimensions	RMS 4: 3.75" W x 3.75" H x 3.5" D (2-gang, Raco P/N 696) RMS 8: 5.625" W x 3.75" H x 3.5" D (3-gang, Raco P/N 697) RMS 12: 7.5" W x 3.75" H x 3.5" D (4-gang, Raco P/N 698)
Zones	RMS 4: four maximum RMS 8: 64 maximum (eight pages, eight zones per page) RMS 12: 96 maximum (eight pages, 12 zones per page)
Presets	Eight, plus reprogrammable on and off presets Permanently stored in both controller and dimmer memory
Fade rate	0 to 90 seconds; one per page and per preset
Raise/lower	Adjustable in 5% increments
Programming lock/unlock	Field-configurable; dip switch located at rear
Infrared receiver (optional)	Allows preset recall and raise/lower Compatible with universal remotes from major manufacturers (Sony, Panasonic, Bose, etc.)
Daylight sensor input (optional)	Allows automatic light level adjustment of zones by daylight sensor
External inputs	Four dry contact closure inputs (alarm system, door switch, motion sensor), 10 A/V inputs Recalls preset when activated
Wiring	Requires four-conductor shielded low-voltage control cable, minimum 20-gauge (Belden #9402 recommended)
Input voltage	12 VDC
Communication	RS-485
Faceplate customization	Matte black, laser-engraved acrylic; custom colors, text, and graphics available upon request

\* Information within this document is subject to change without notice.

© Copyright 2007 Marlin Controls, Inc. All rights reserved.