

Control Stations

Category

Overview

Once you create the perfect scene for your lighting system, you want it to stay that way. The Remote Control Station II is a 96-zone master lighting control station with eight programmable, password-protected presets, so the lighting setup you create won't be messed with. And, it fits in a standard two-gang switch box, so it's easy to install and easy to set up.

Photos

Typical Applications

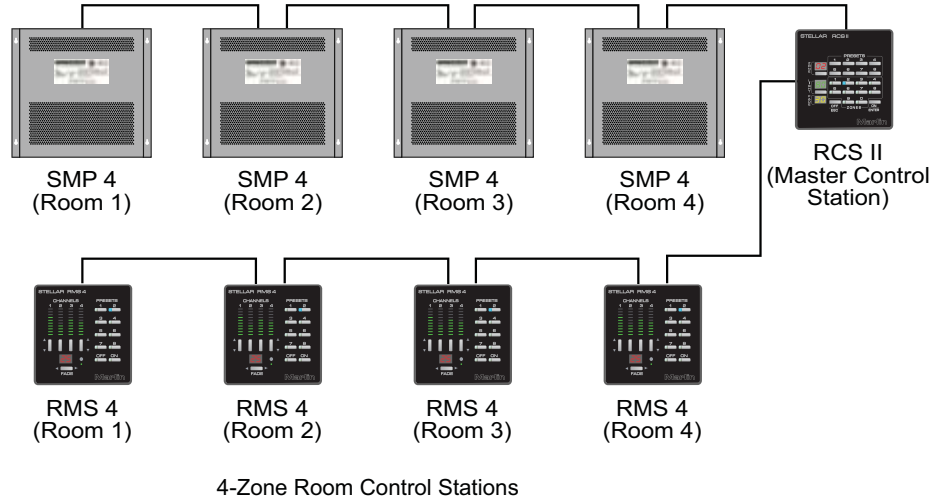


RCS II - front view

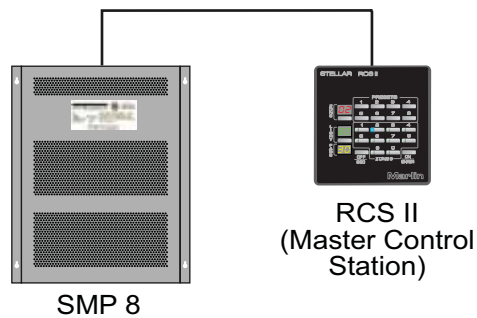
- Restaurants, lounges, clubs
- Houses of worship
- Offices, media rooms, conference rooms
- Auditoriums, meeting halls
- Ballrooms, multifunctional facilities, partitioned spaces
- Resorts, country clubs

Features

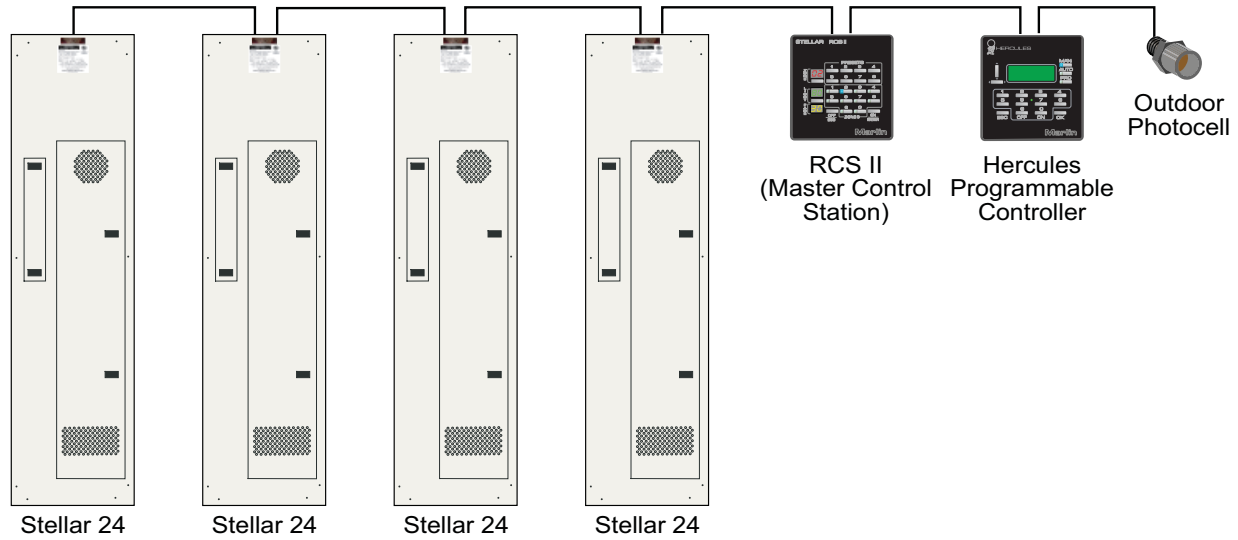
- Control up to 96 zones
- Numerical displays with zone number, light level, and fade rate
- Eight user-programmable presets
- Assign fade rates for each zone, from zero (instant) to 90 seconds
- Password-protected preset programming prevents unauthorized users from changing preset light levels
- Manual switch allows user to enable or disable preset programming to prevent tampering
- Dual-location preset backup frees users from having to reprogram presets when the RCS II or dimmers are replaced
- Includes four dry contact closure inputs for alarm systems, motion sensors, and door switches
- Laser-engraved faceplate with custom colors, text, and graphics



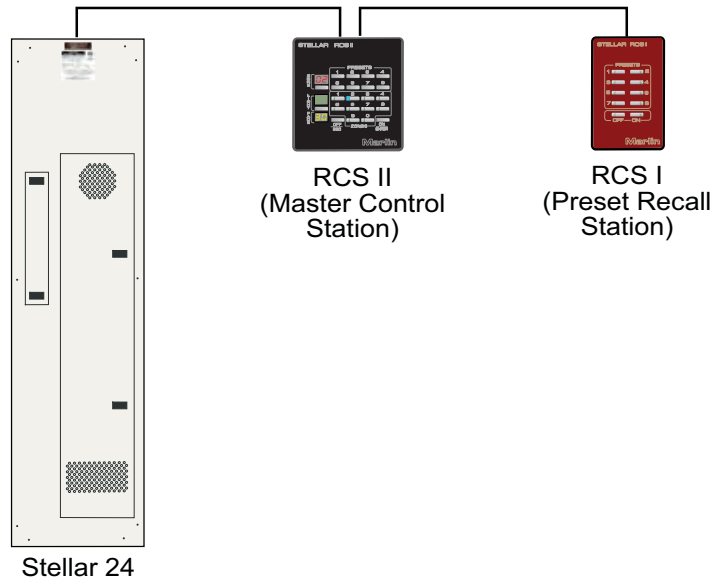
Four separate rooms, each with a four-dimmer Stellar Mini Panel, a four-zone RMS control station, and an RCS II master control station



Stellar Mini Panel with eight dimmers and an RCS II master control station



Four Stellar panels with a total of 96 dimmers, an RCS II master control station, a Hercules programmable astronomical time clock, and an outdoor photocell for automation by ambient outdoor light



Stellar panel with 24 dimmers, an RCS II master control station, and an RCS I remote preset recall station

Front dimensions	4.50" W x 4.50" H
Switch box dimensions	3.75" W x 3.75" H x 3.5" D (2-gang, Raco P/N 696)
Zones	96 maximum
Presets	8, permanently stored in both controller and dimmer memory
Preset programming	4-digit access code protection Field-configurable programming lock/unlock switch (back)
Fade rate	0 to 90 seconds; can be unique for each zone and preset
Raise/lower	Adjustable in 5% increments
Numerical displays	Selected zone (two-digit) Current light level/preset (two-digit) Fade rate (two-digit)
External inputs	Four dry contact closure inputs (alarm system, door switch, motion sensor) Recalls preset when activated
Wiring	Requires four-conductor shielded low-voltage control cable, minimum 20-gauge (Belden #9402 recommended)
Input voltage	12 VDC
Communication	RS-485
Faceplate customization	Matte black, laser-engraved acrylic; custom colors, text, and graphics available upon request

* Information within this document is subject to change without notice.

© Copyright 2007 Marlin Controls, Inc. All rights reserved.