

# Pegasus HC Lighting Control Panel

Low Voltage Switching Lighting Controls

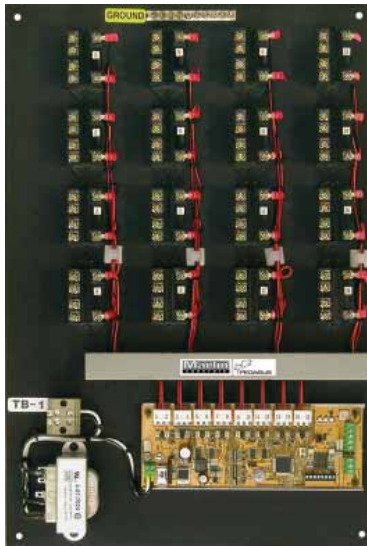
Category

Overview

The Pegasus HC Lighting Control Panel drives up to 32 relays, each rated 20 amps, with an integrated time clock and photocell input. Users can manually switch outputs on or off from a remote pushbutton controller, or create time and photocell events using the Hercules Programmable Controller for automated lighting control. The Pegasus can also drive momentary circuit breakers such as the Smart Breaker™ by Cutler-Hammer.

Photos

Typical Applications



*Pegasus HC 16 - interior*



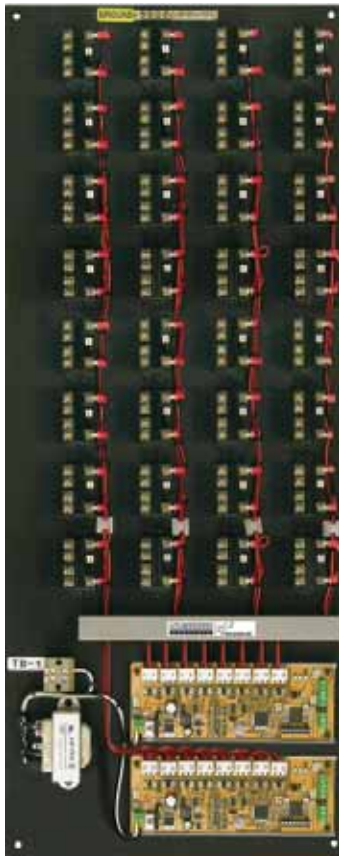
*Pegasus HC 16 - enclosure*

- Retail stores
- Offices, schools
- Galleries, displays, exhibits
- Restaurants, fast food restaurants, bars, cafés
- Theaters, assembly halls, convention halls
- Houses of worship
- Fire stations, warehouses
- Outdoor lighting, parking lot lighting, signage

Features

## Relay Panel

- Up to 16 (small cabinet) or 32 (large cabinet) normally open, 120/240/277 VAC relays, each rated 20 amps, with 100% duty cycles
- Outputs configurable as maintain or momentary, for up to eight momentary circuit breakers such as Cutler-Hammer Smart Breakers™
- 120/240/277 VAC transformer, compatible with applications that require different voltages
- LED indicators show the status of each output
- Short circuit protection for each output isolates the main board from the relay when a short occurs



*Pegasus HC 32 - interior*



*Pegasus HC 32 - enclosure*

### Relay Panel (cont'd)

- On/off switches on relay control board for manually overriding each relay
- Four external inputs: fire alarm, security alarm, occupancy sensor, and door switch
- Staggered switching of multiple relays prevents inrush currents

### Installation and Maintenance

- Fits between 16"-spaced 2" x 4" wall studs for easy rough-in, or can be surface-mounted
- Knockouts for wire feeds on top and bottom of the panel

## Scheduling

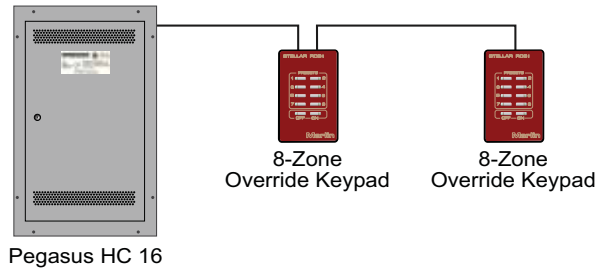
- Reduce energy costs by automating: integrated time clock with battery backup allows automatic switching events for each or all relays
- Astronomical time clock allows sunrise and sunset time events, with up to six-hour before/after offsets
- Daily, weekly, weekday, and weekend scheduling
- Skip-a-day function allows users to skip time and photocell events on selected days or on user-defined holidays
- Non-volatile memory saves current status, time events, and photocell events in case of power loss
- Input for optional outdoor photocell, which automatically switches relays according to the amount of sunlight present
- Adjustable photocell tolerance and delay options prevent lightning or passing clouds from triggering photocell-based events
- Off sweep function warns occupants, then switches off relays when left on after defined work hours
- Meets California Energy Commission Title 24 (2005), ASHRAE 90.1, and IECC standards and requirements

## Control and Connectivity

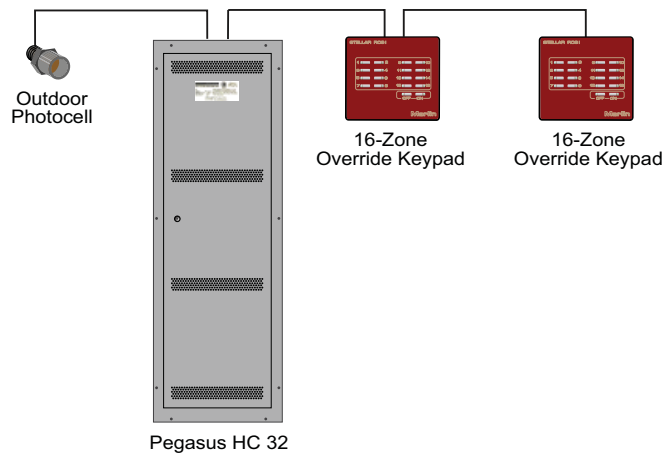
- Two four-pin expansion connectors allow users to daisy-chain additional Pegasus units
- Control with the Hercules Programmable Controller to set schedules and configure the outdoor photocell, astronomical time clock, and automatic sweep
- Connect and control the Pegasus using your PC, with the Virtual Hercules software
- Use the remote keypad to manually switch outputs on and off
- Use the Hercules to assign a set of relay outputs to be controlled by each remote keypad
- Admin and operator levels of security: admins have access to scheduling and controller setup, while operators are restricted to manual operation
- Snap in the Hermes Modem Interface to dial in and control the Pegasus from any remote location
- Use the Stellar WiFi Interface to control the Pegasus using a wireless laptop, through your wireless network, corporate LAN, or the Internet

# Pegasus HC Lighting Control Panel

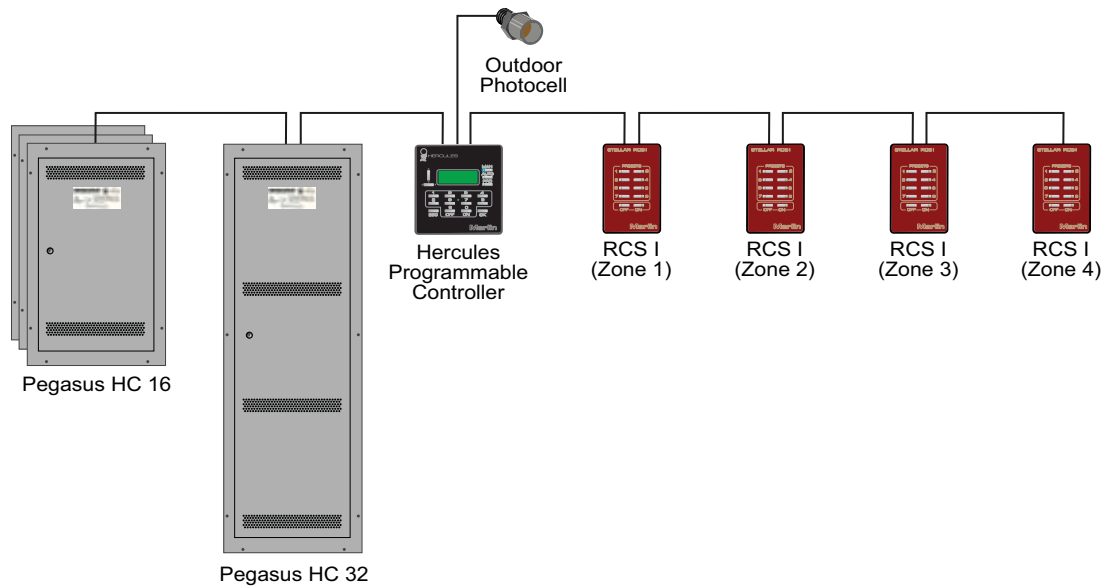
Low Voltage Switching Lighting Controls



*Pegasus HC 16 with two remote keypads - switch 16 zones individually or sweep all on/off*



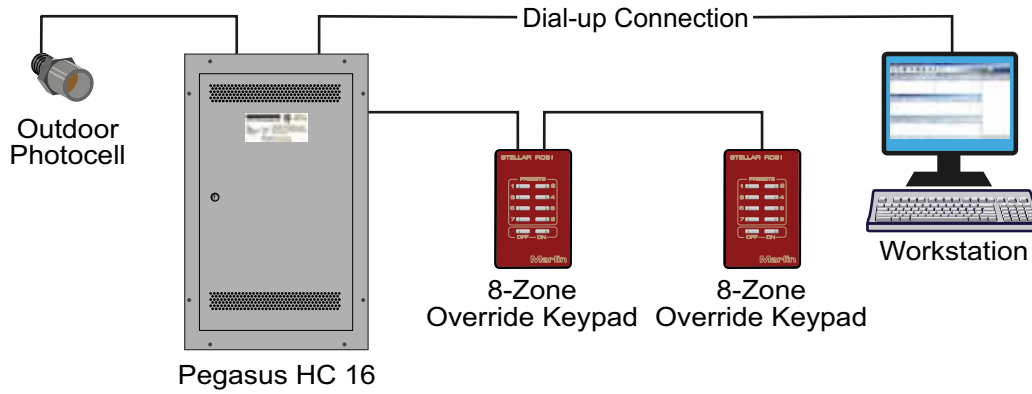
*Pegasus HC 32 with outdoor photocell and remote keypads - switch 32 zones individually or sweep all on/off*



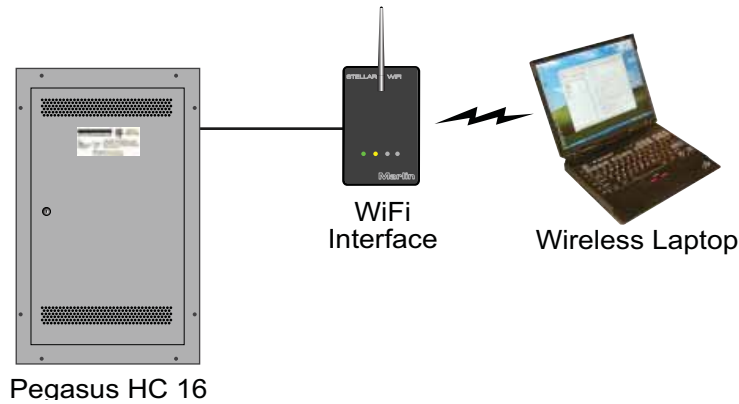
*Multiple Pegasus HC units with Hercules Programmable Controller for scheduling, photocell for sunlight-based automation, and multiple remote keypads for switching relays in different zones*

# Pegasus HC Lighting Control Panel

Low Voltage Switching Lighting Controls



*Pegasus HC 16 with remote keypads for manual switching, photocell for sunlight-based automation, and Hermes Modem Interface for control via dial-up connection*

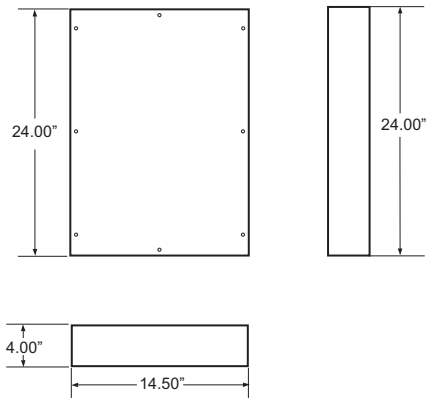


*Pegasus HC 16 with Stellar WiFi Interface for control via wireless laptop*

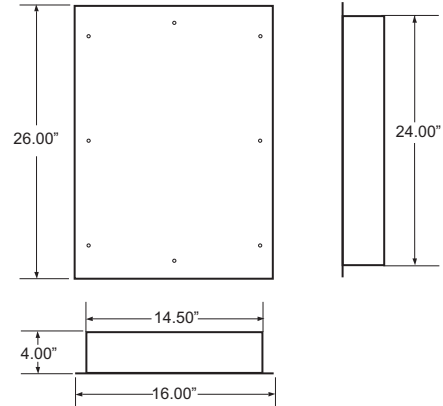
## Pegasus HC Lighting Control Panel

Low Voltage Switching Lighting Controls

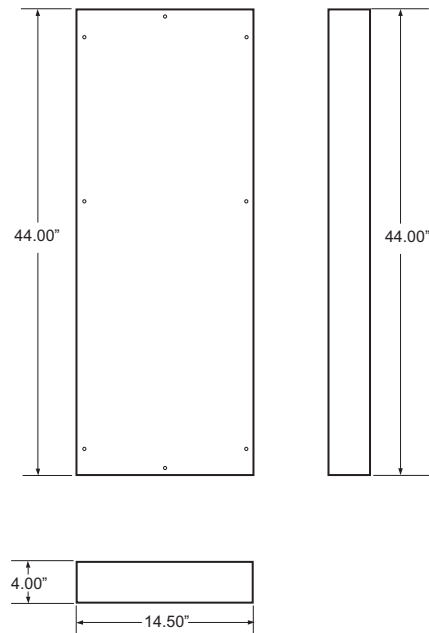
Relay quantity	Pegasus HC 16 (small cabinet): 16 or less Pegasus HC 32 (large cabinet): 17 to 32
Relays	Normally open, 120/240/277 VAC, rated 20 A, with screw terminals
Enclosure dimensions	Pegasus HC 16: 14.5" W x 22" H x 4" D Pegasus HC 32: 14.5" W x 44" H x 4" D
Door dimensions	Pegasus HC 16: 14.5" W x 22" H (surface-mount enclosure) Pegasus HC 16: 16" W x 24" H (flush-mount enclosure) Pegasus HC 32: 14.5" W x 44" H (surface-mount enclosure) Pegasus HC 32: 16" W x 46" H (flush-mount enclosure)
Enclosure material	14-gauge gray powdercoated steel; black anodized aluminum subplate
Installation	Surface or flush mount, top and bottom knockouts
Input voltage	120/240/277 VAC
Relay lifetime	100,000 operations (with loads)
Relay coils	24 VAC or 24 VDC
Relay output board	16 relay outputs (momentary breakers require two outputs); snaptrack mounting
Output configuration	3-pin jumper setting for maintain or momentary output
Other inputs/outputs	Two RS-485, one photocell, four dry contact closure inputs (fire alarm, security alarm, motion sensor, door switch)
LED indicators	Power on/off, communication status, 8 momentary breaker on/off, 16 relay on/off (per relay output board)
Staggered switching	User programmable, 0 ms to 240 ms between each relay
Addressing	Eight-bit dip switch
Number of events	Eight time events and eight photocell events per relay
Time/photocell event frequency	Daily (everyday), weekly (once a week), weekday (Mon-Fri), weekend (Sat/Sun)
Time event options	Exact time, sunrise, or sunset, with +/- 5 hour, 59 minute offsets
Astronomical time clock	Calculated according to latitude/longitude and time zone; updated daily; allows +/- 5 hour, 59 minute offsets for time events
Skip	Recurring days of the week, weekdays, weekends, calendar dates, or holidays
Holidays	Two selectable banks, up to 30 holidays each
Daylight savings	Automatic; enable/disable feature
Photocell options	Configurable delay, tolerance, on time, off time
Off sweep options	Active after defined working hours, with warning flashes 0 to 60 minutes before sweeping off
Operating environment	For indoor installation only
Energy code compliance	California Energy Commission Title 24 (2005), ASHRAE 90.1, IECC
Certification	ANSI/UL 916



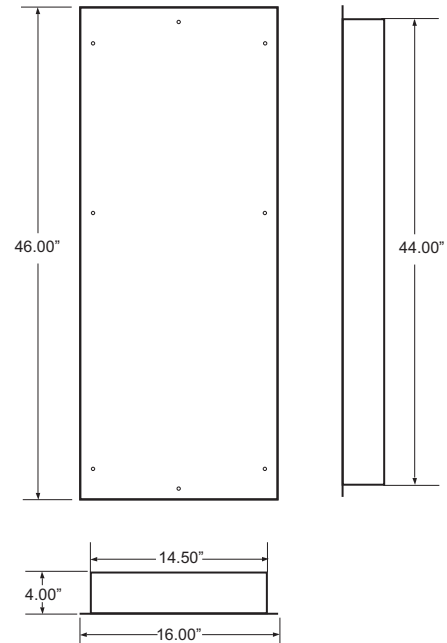
*Pegasus HC 16 - surface-mount enclosure dimensions*



*Pegasus HC 16 - flush-mount enclosure dimensions*



*Pegasus HC 32 - surface-mount enclosure dimensions*



*Pegasus HC 32 - flush-mount enclosure dimensions*

\* Information within this document is subject to change without notice.

# Pegasus HC Lighting Control Panel

Low Voltage Switching Lighting Controls

Category

Dimensions

## Custom Colors and Engraving



Vintage Silver



Orange



White



Marble



Blueberry



Brushed Gold



Bordeaux



China Blue



Black



Verge



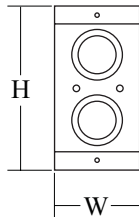
Ruby



Brushed Aluminum

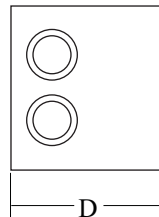
## Switch Box Dimensions

1-gang, Raco P/N 695

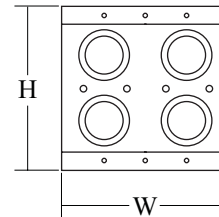


2.0" W x 3.75" H x 3.5" D

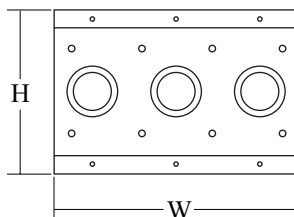
2-gang, Raco P/N 696



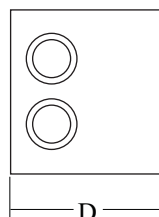
3.75" W x 3.75" H x 3.5" D



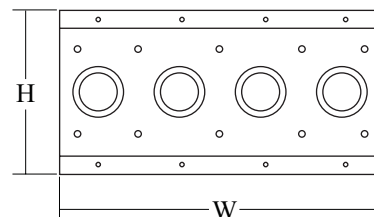
3-gang, Raco P/N 697



5.625" W x 3.75" H x 3.5" D



4-gang, Raco P/N 698



7.5" W x 3.75" H x 3.5" D

\* Information within this document is subject to change without notice.

© Copyright 2007 Marlin Controls, Inc. All rights reserved.