

DC III Relay Board

Low Voltage Switching Lighting Controls

Category

Overview

The DC III Relay Board is a small device that is making a huge impact in lighting. It can be used in a wide variety of applications to switch fluorescents, HIDs, parking lot lights and signage, to name a few. The relays may also be deployed to manage other systems such as presentation screens, shutters, blinds, and many other motorized devices. Plus, the DC III Relay Board can integrate nicely with your Marlin Controls dimming system to create a complete dimming and switching network.

Photos

Typical Applications



DC III Relay Board

- Outdoor lighting, parking lot lighting, signage
- Lighting contactors
- Retail stores
- Offices, schools, banks
- Galleries, displays, exhibits
- Restaurants, fast food restaurants, bars, cafés
- Theaters, assembly halls, convention halls
- Houses of worship
- Fire stations, warehouses

Features

- Eight 10 A normally open/normally closed relays
- Built-in astronomical time clock for automation of relays by time, sunrise, or sunset
- Create time or outdoor photocell schedules from the Hercules or Matrix programmable controllers
- Four dry contact closure inputs allow automatic override of relays by devices such as fire alarms and security alarms
- Manually override relays from the RCS I, a remote eight-zone keypad
- Eight connectors allow use of external relays with higher current ratings

DC III Relay Board

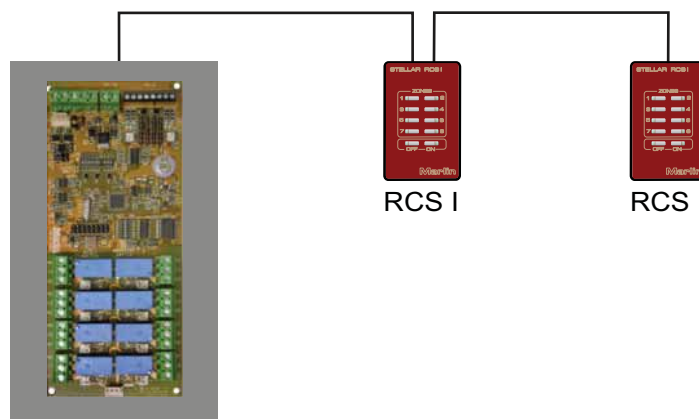
Category

Low Voltage Switching Lighting Controls

Features

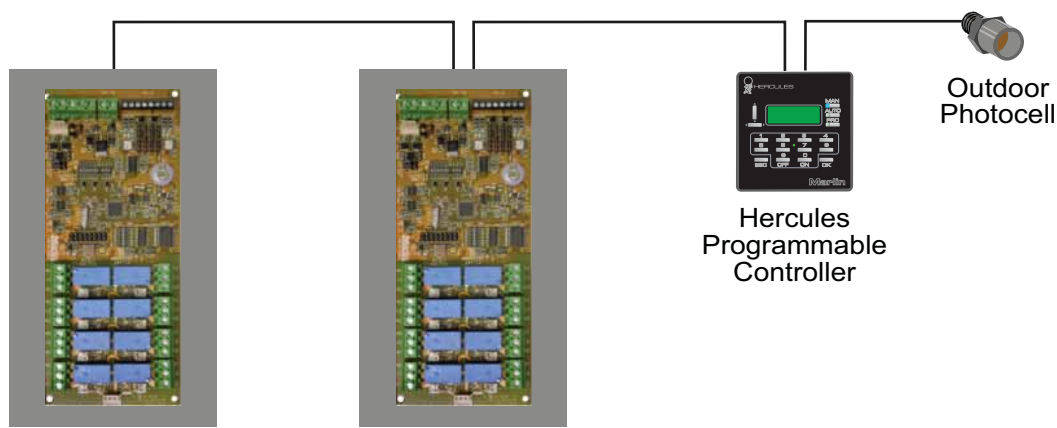
- Built-in time delay prevents a high in-rush current when sweeping all relays on or off
- Gang relays together to drive multiple devices from a single voltage source
- Use two relays to control momentary breakers with an adjustable pulse length
- Connect multiple relay boards together for use in larger applications
- Stores the status of each relay in non-volatile memory in case of a power outage

Sample Configurations



DC III Relay Board

DC III Relay Board with two RCS I eight-zone manual override stations



DC III Relay Board

DC III Relay Board

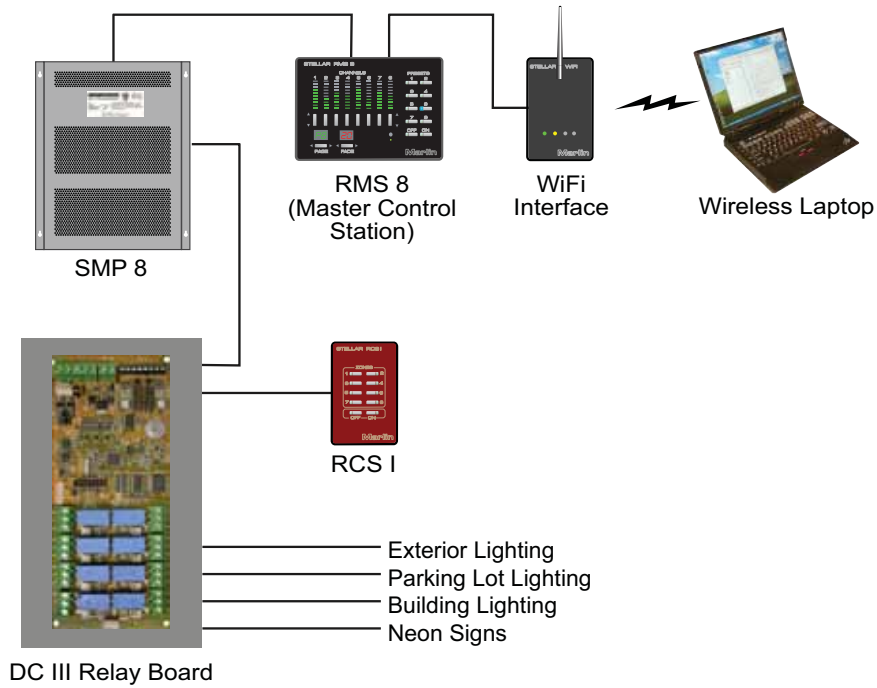
Hercules
Programmable
Controller

Outdoor
Photocell

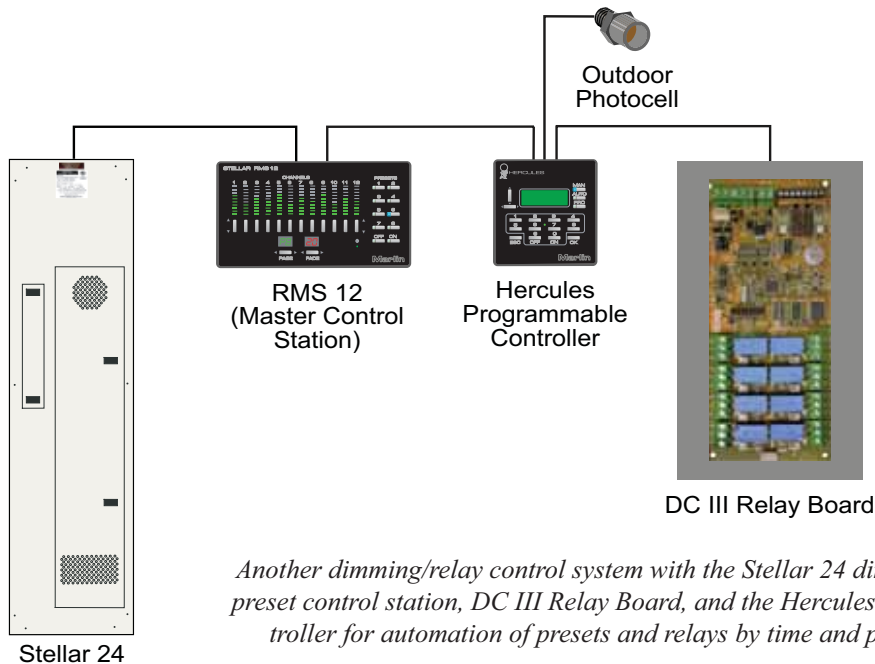
Two DC III Relay Boards (16 relays) with Hercules Programmable Controller and outdoor photocell for automation of relays by time and ambient outdoor light level

DC III Relay Board

Low Voltage Switching Lighting Controls



A combination dimming/relay control system with the Stellar Mini Panel 8, RMS 8 preset control station, DC III Relay Board, RCS I eight-zone manual override station, and a WiFi Interface for control and monitoring from a laptop computer



Another dimming/relay control system with the Stellar 24 dimmer panel, RMS 12 preset control station, DC III Relay Board, and the Hercules Programmable Controller for automation of presets and relays by time and photocell schedule

Dimensions	3.0" W x 7.0" H
Mounting	3.0" W x 7.0" H snaptrack
Relays	Eight normally open/normally closed, rated 10 Amp
Input Voltage	120/240/277 VAC
Relay Coils	12 VDC
External Relay Inputs	Eight inputs for 20 A external relays with 12 VDC coil
LED Indicators	Power on/off, communication status
Time Clock	Astronomical time clock, 100-year calendar
Backup	Non-volatile memory and lithium ion battery
Expansion	Allows connection of up to 256 DC III Relay Boards
Momentary Relays	Allows two relays to be used to control momentary breakers, with an adjustable pulse of 7 ms to 70 ms (in increments of 7 ms)
External Inputs	Four inputs, configurable as 12 VDC inputs or dry contact closure inputs for fire/security alarms, occupancy sensors, or door switches
Wiring	Requires four-conductor shielded low-voltage control cable, minimum 20-gauge (Belden #9402 recommended)
Input Voltage (control voltage)	12 VDC
Communication	RS-485
Operating Environment	For indoor installation only

* Information within this document is subject to change without notice.

© Copyright 2007 Marlin Controls, Inc. All rights reserved.