

DC II Relay Board

Low Voltage Switching Lighting Controls

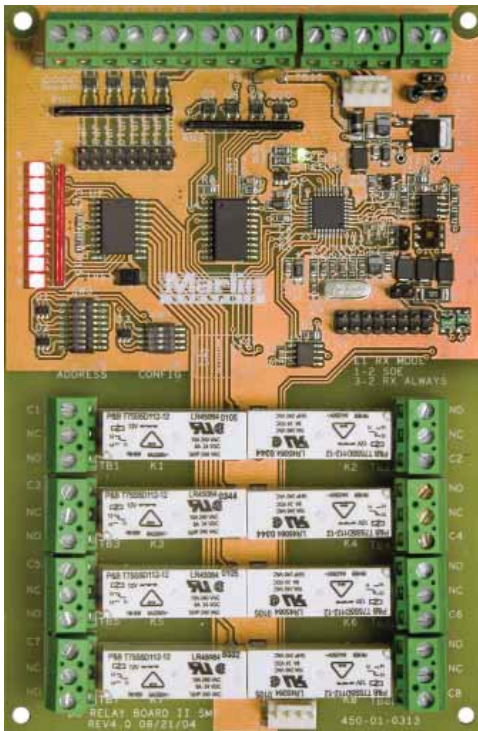
Category

Overview

The DC II Relay Board is a small device that is making a huge impact in lighting. It can be used in a wide variety of applications to switch fluorescents, HID's, parking lot lights and signage, to name a few. The relays may also be deployed to manage other systems such as presentation screens, shutters, blinds, and many other motorized devices. Plus, the DC II Relay Board can integrate nicely with your Marlin Controls dimming system to create a complete dimming and switching network.

Photos

Typical Applications



DC II Relay Board

- Outdoor lighting, parking lot lighting, signage
- Lighting contactors
- Retail stores
- Offices, schools, banks
- Galleries, displays, exhibits
- Restaurants, fast food restaurants, bars, cafés
- Theaters, assembly halls, convention halls
- Houses of worship
- Fire stations, warehouses

Features

- Eight 10 A normally open/normally closed relays
- Eight dry contact closure inputs allow automatic override of relays by devices such as fire alarms and security alarms
- Manually override relays from the RCS I, a remote eight-zone keypad
- LED status indicators for each relay clearly indicate which relays are on and which are off
- Automate relays on a time or outdoor photocell schedule from the Hercules or Matrix programmable controllers
- Built-in time delay prevents a high in-rush current when sweeping all relays on or off

DC II Relay Board

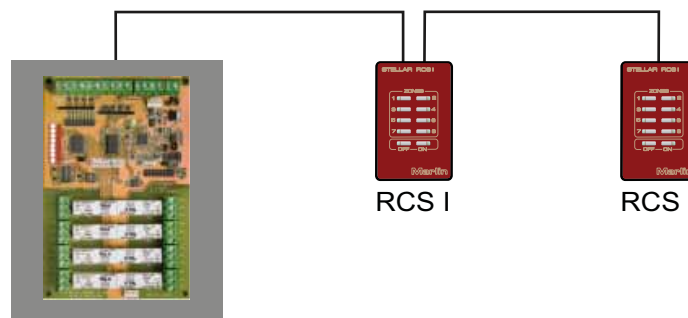
Category

Low Voltage Switching Lighting Controls

Features

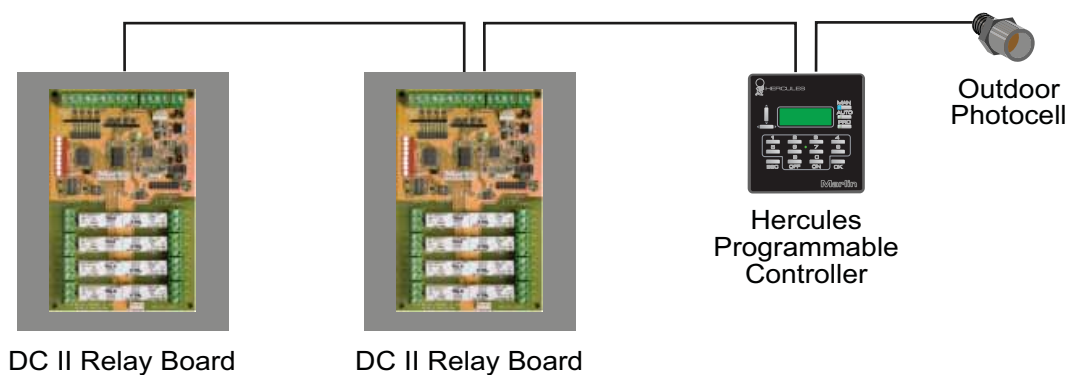
- Gang relays together to drive multiple devices from a single voltage source
- Use two relays to control momentary breakers with an adjustable pulse length
- Connect multiple relay boards together for use in larger applications
- Stores the status of each relay in non-volatile memory in case of a power outage

Sample Configurations



DC II Relay Board

DC II Relay Board with two RCS I eight-zone manual override stations



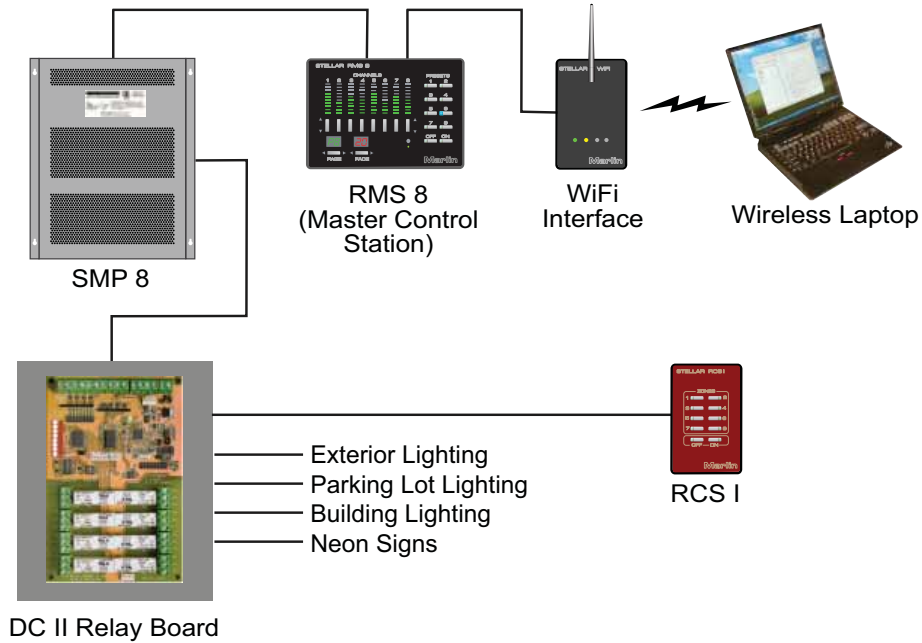
DC II Relay Board

DC II Relay Board

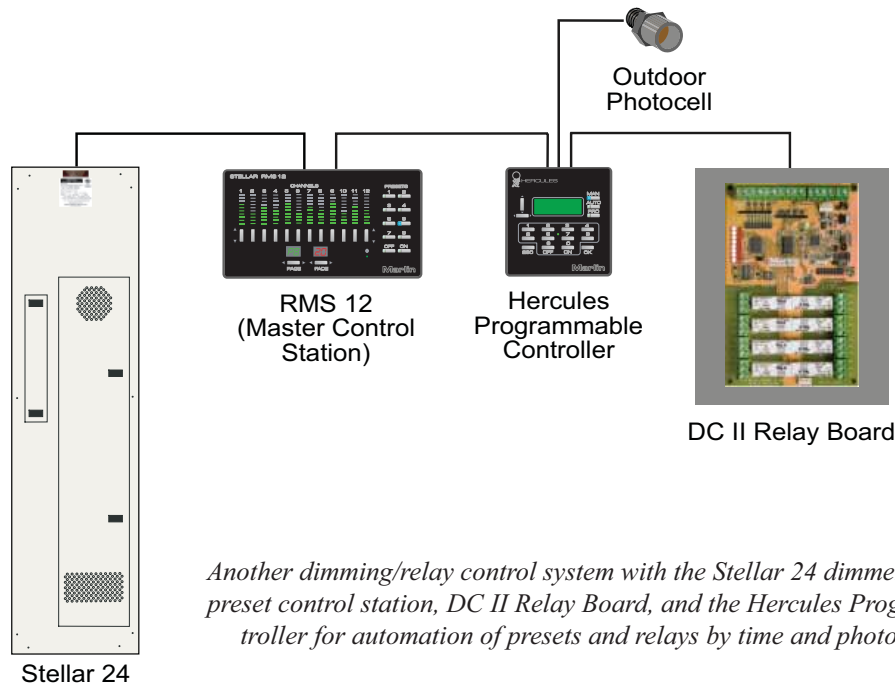
Two DC II Relay Boards (16 relays) with Hercules Programmable Controller and outdoor photocell for automation of relays by time and ambient outdoor light level

DC II Relay Board

Low Voltage Switching Lighting Controls



A combination dimming/relay control system with the Stellar Mini Panel 8, RMS 8 preset control station, DC II Relay Board, RCS I eight-zone manual override station, and a WiFi Interface for control and monitoring from a laptop computer



Another dimming/relay control system with the Stellar 24 dimmer panel, RMS 12 preset control station, DC II Relay Board, and the Hercules Programmable Controller for automation of presets and relays by time and photocell schedule

Dimensions	4.0" W x 6.0" H
Mounting	4.0" W x 6.0" H snaptrack
Relays	Eight normally open/normally closed, rated 10 Amp
Input Voltage	120/240/277 VAC
Relay Coils	12 VDC
LED Indicators	Power on/off, communication status, eight relay on/off
Expansion	Allows connection of up to 256 DC II Relay Boards
Momentary Relays	Allows two relays to be used to control momentary breakers, with an adjustable pulse of 7 ms to 70 ms (in increments of 7 ms)
Inputs	Eight dry contact closure inputs; switches a relay on or off when activated
Wiring	Requires four-conductor shielded low-voltage control cable, minimum 20-gauge (Belden #9402 recommended)
Input Voltage (control voltage)	12 VDC
Communication	RS-485
Operating Environment	For indoor installation only

* Information within this document is subject to change without notice.

© Copyright 2007 Marlin Controls, Inc. All rights reserved.